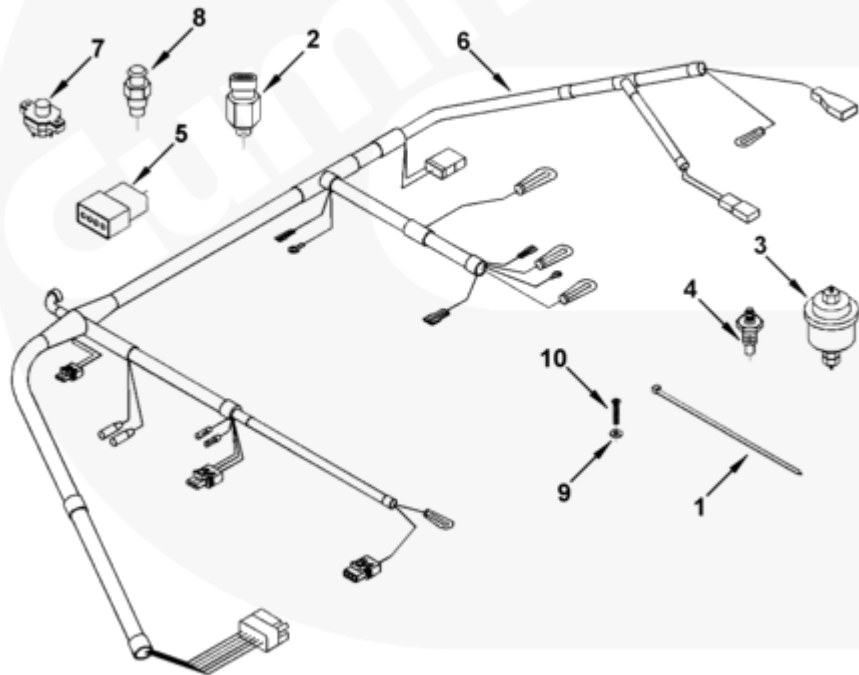




Parts Catalog - Option Detail

Electronic Parts Catalog - Option Detail				
Option	Group	Graphic	Film Card	Date
EG9178	15.08	eg954gj	T	27-AUG-96
Engines	4B3.9, 6A3.4, 6B5.9, B GAS INTERNATIONAL CM556, B4.5, B4.5 CM2350 B129B, B4.5 CM2350 B146C, B4.5 CM2350 B147B, B4.5 RGT, B4.5S, B5.9 G, B5.9 GAS PLUS CM556, B5.9 LPG, B5.9 LPG PLUS CM556, B6.7 CM2350 B121B, B6.7 CM2350 B135B, B6.7 CM2350 B136C, B6.7 CM2350 B148B, B6.7 G CMOH6.0 B125, B6.7N CM2380 B150B, B6.7S, F3.8 CM2350 F120B, F3.8 CM2350 F128C, F3.8 CM2350 F132B, F3.8 F102, G3.9, G5.9, G5.9 CM558, ISB (CHRYSLER), ISB CM2150, ISB CM2150 E, ISB CM550, ISB CM850, ISB/ISD4.5 CM2150 B119, ISB/ISD4.5 CM2150 SN, ISB/ISD6.7 CM2150 B120, ISB/ISD6.7 CM2150 SN, ISB/ISD6.7 CM2880 B126, ISB3.9 CM2220 B107, ISB4.5 CM2150, ISB5.9G CM2180, ISB6.7 2010 DCX PICKUP, ISB6.7 2013 DCX CHASSIS CAB, ISB6.7 CM2150 SQ, ISB6.7 CM2250, ISB6.7 CM2350 B101, ISB6.7 CM2350 B103, ISB6.7 CM2350 B142, ISB6.7 CM2670 B153B, ISB6.7 G CM2180 B118, ISBE CM2150, ISBE CM800, ISBE2/ISBE3 CM850, ISBE4 CM850, ISD4.5 CM2150, ISD6.7 CM2880 D101, ISF2.8 CM2220, ISF2.8 CM2220 AN, ISF2.8 CM2220 EC, ISF2.8 CM2220 ECF2, ISF2.8 CM2220 F101, ISF2.8 CM2220 F117, ISF2.8 CM2220 F122, ISF2.8 CM2220 F126, ISF2.8 CM2220 F129, ISF2.8 CM2220 IAN, ISF3.8 CM2220, ISF3.8 CM2220 AN, ISF3.8 CM2220 F103, ISF3.8 CM2220 F110, ISF3.8 CM2220 F116, ISF3.8 CM2220 F134B, ISF3.8 CM2220 IAN, ISF3.8 CM2350 F109, ISF4.5 CM2220 F123, ISG11 CM2880 G106, ISG11 CM2880 G108, ISG12 CM2880 G107, ISG12 CM2880 G109, ISG12 G CMOH6.0 G111, QSB3.9 30 CM550, QSB3.9 CM2880 B138, QSB4.5 30 CM550, QSB4.5 CM2150 B108, QSB4.5 CM2250 B131, QSB4.5 CM2250 EC, QSB4.5 CM2350 B106, QSB4.5 CM2350 B122			



eg954gj

[SMALL](#) | [MEDIUM](#) | [LARGE](#)

Cart	Ref No	Part Number	Part Description	Required	Remarks
<div style="border: 1px solid black; padding: 2px; display: inline-block;">View My Cart</div>					
		EG9178	Engine Instrument Panel		Engine Insrument Panel...(More)
					Engine Cylinders: 4/6
					Application: Marine
					Voltage: 12/24
					Tachometer Provided: No
					Hourmeter Provided: No
					Over Speed Switch Provided:
					No
					Ammeter/Voltmeter Provided:

					No
					Oil Pressure Gauge Provided:
					No
					Coolant Temperature Gauge
					Provided: No
					Start/Stop Switch Provided:
					No
					Fuel Shutoff Provided: Yes
					Wiring Harness Provided: Yes
					Wiring Harness Quantity: 1
					This Option Specifically
					Created for Marine
					OEM Using Single Station
					American Sending Units and
					Switches.
					Contains Wiring Harness for
					Neutral Lockout.
<input type="checkbox"/>	1	3062329	Wire Tie Clamp	3	
<input type="checkbox"/>	2	3062867	Pressure Switch	1	
<input type="checkbox"/>	3	3897170	Transducer	1	
<input type="checkbox"/>	4	3897200	Transducer	1	Temperature
<input type="checkbox"/>		3866224	Wiring Harness	1	
<input type="checkbox"/>	5	3866221	Diode	1	
<input type="checkbox"/>	6	3866350	Wiring Harness	1	
<input type="checkbox"/>	7	3925605	Circuit Breaker	1	
<input type="checkbox"/>	8	3897171	Temperature Switch	1	
<input type="checkbox"/>	9	3924763	Plain Washer	2	
<input type="checkbox"/>	10	3924764	Oval Head Cap Screw	2	

Need Assistance? Please click on the Contact Us button in the top right corner of any page.